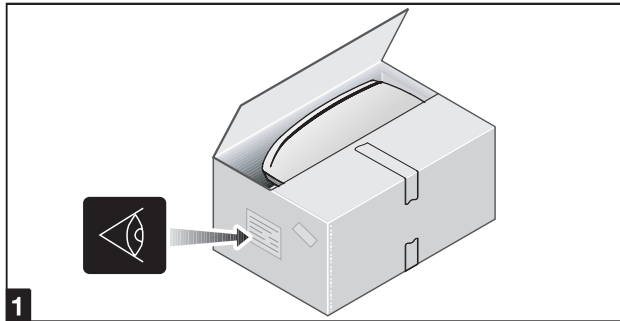
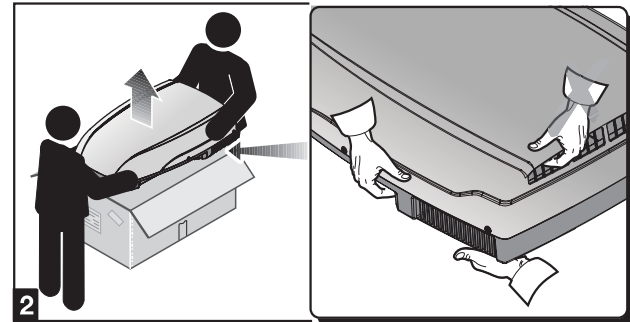


The air conditioner must be installed by skilled technicians. In addition to this requirement, the people making the unit installation must make sure that the working conditions are safe for everybody concerned.

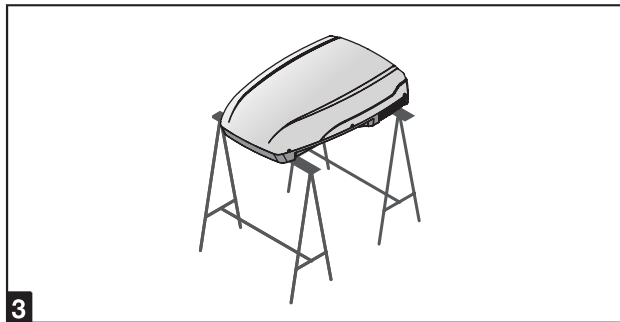
2.1. Packaging, unpacking and handling



1 Always follow the instructions printed on the packaging.



2 Remove the air conditioner from its packaging and make sure that it is not damaged.
Never use the rear air openings to lift the air conditioner from its packaging



3

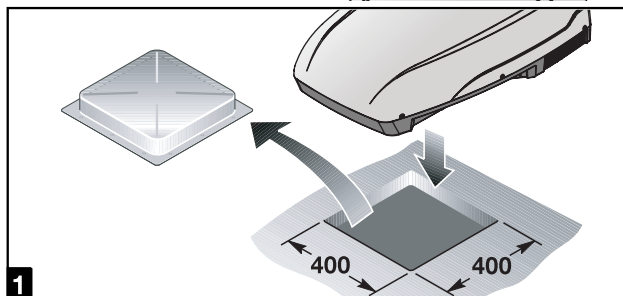


4

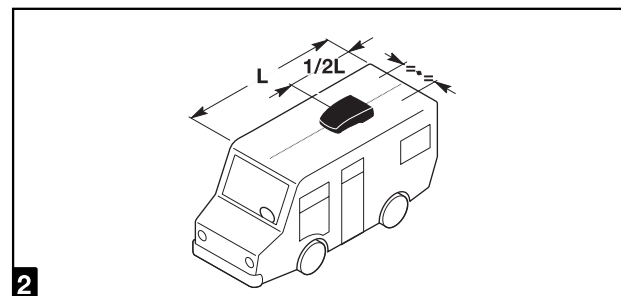
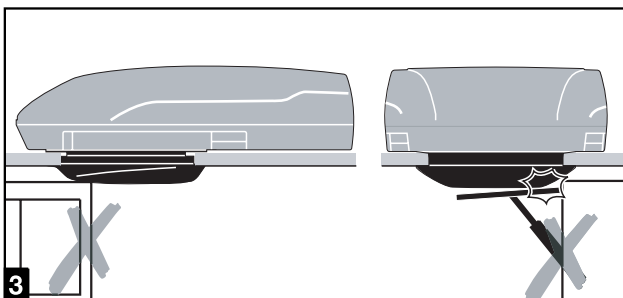
Move the air conditioner to the installation site under safe conditions.

GB

2.2. Preparing the roof opening



To install the air conditioner, the roof shall have an opening of suitable sizes. It is possible to use an existing air inlet or make a new one.

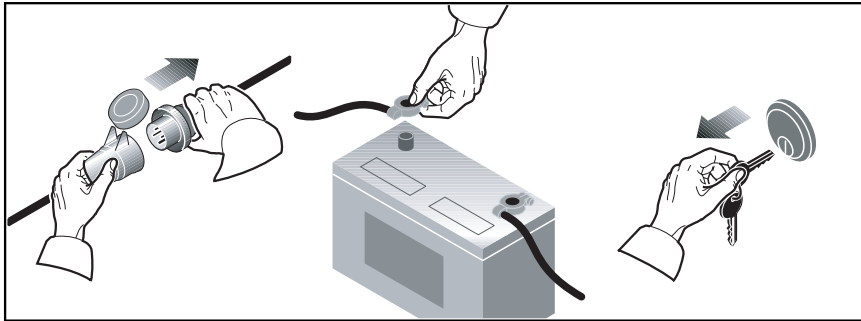


According to the vehicle dimensions and depending on the air conditioning needs, one or more units can be installed. The air conditioner must be installed right in the middle with respect to the vehicle Width and length.

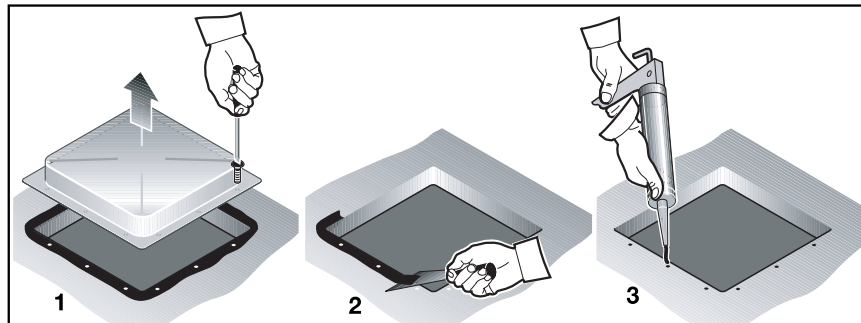
Before installing the unit, make sure that the opening does not interfere with the existing furnishing (lamps, wardrobes, doors, curtains, etc.). This check allows for an easy mounting of the air conditioner and a troublefree air circulation.

⚠ contact the vehicle manufacturer and make sure that the roof structure can tolerate the static load and the stress transmitted vehicle, especially under running conditions. Sometimes vehicle manufacturers previously arrange areas for the unit installation weakening and/or electric cable from being cut.

⚠ The air conditioner should preferably be installed on a level plane. Maximum allowed inclination: 10°.



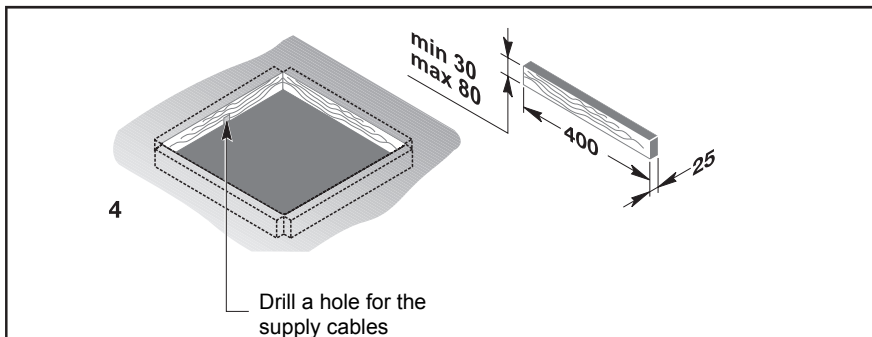
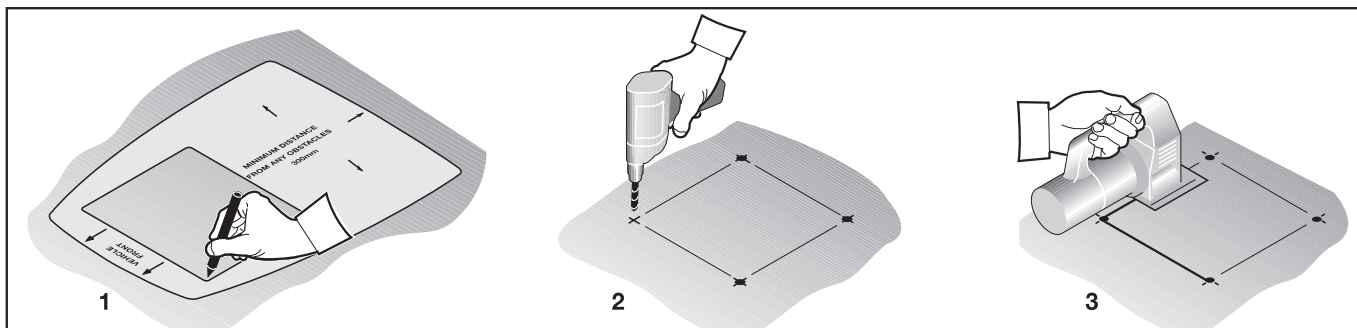
⚠ Danger of electrical hazards.
Turn all power sources off



Using an existing opening

1. Remove the skylight cover.
2. Clean the installation opening all around by removing any adhesive residues.
3. Fill any existing screw hole or deformation with filler or silicone.

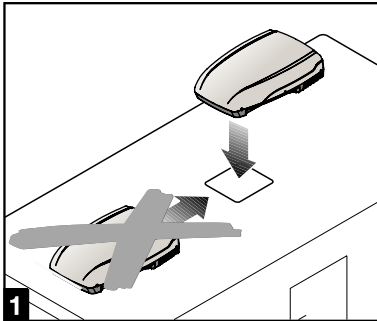
GB



New installation opening

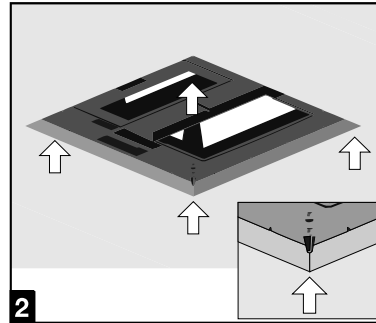
1. Using the printed cardboard template supplied with the unit, find the position and dimensions of the new opening.
2. Drill the four corners.
3. Cut by joining the previously made holes.
4. If necessary, mount a reinforcing wooden frame.

2.3. Mounting the air conditioner



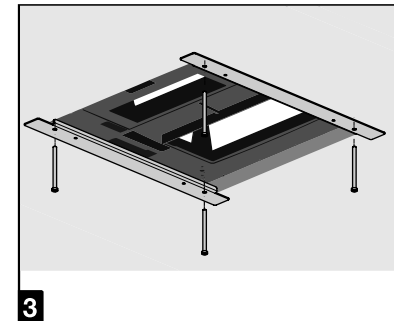
1

Set the air conditioner onto the roof opening. Never slide the air conditioner on the roof, but lift when moving it.



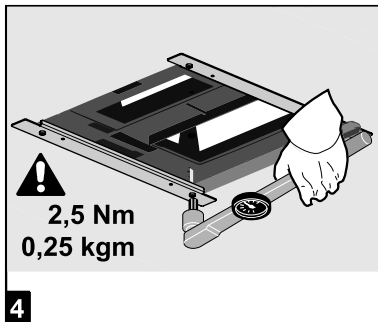
2

Note: the conical pins under the base must enter the roof openings.



3

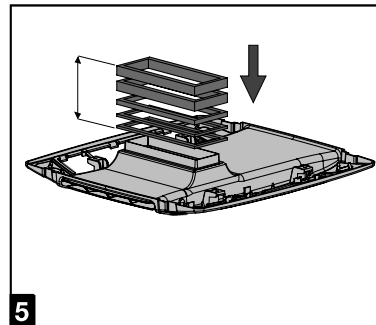
Fix the air diffuser brackets to the base using the 4 screws provided.



4

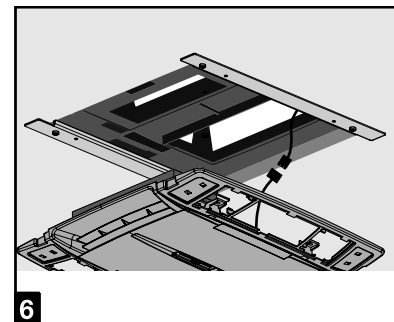
2,5 Nm
0,25 kgm

Always tighten to the recommended torque wrench setting. Do not overtighten!



5

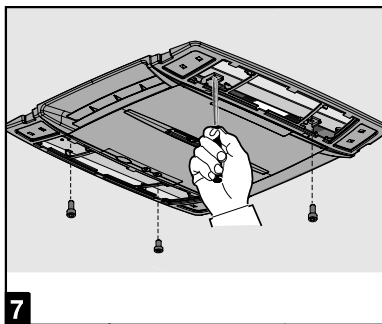
Mount the air diffuser linking gaskets. For correct thickness follow the table on page 19.



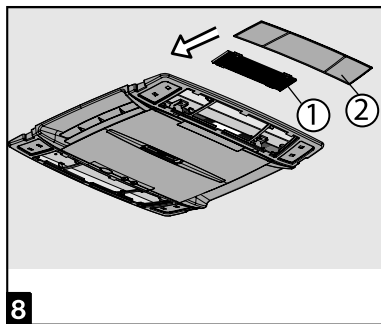
6

Do the electrical connection as described in paragraph 2.4.

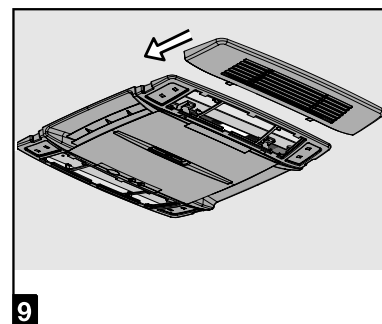
GB



7 Fix the cooling unit to the brackets using the 4 screws provided.



8 Mount the filters in the order shown in figure.

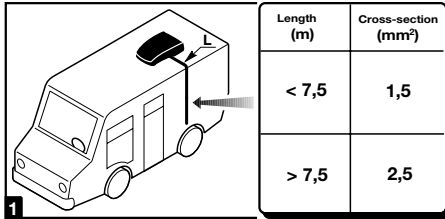


9 Mount the filters covers.

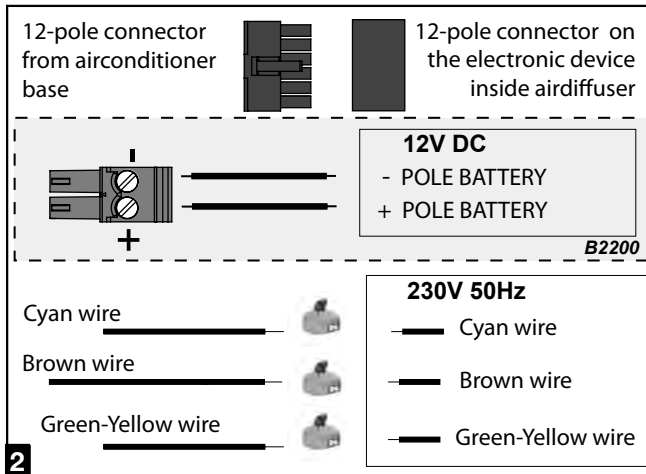
THICKNESS OF THE ROOF				THICKNESS OF THE GASKET
		=	30 mm	10 mm
from	30	to	35 mm	15 mm
from	35	to	40 mm	20 mm
from	40	to	45 mm	25 mm
from	45	to	50 mm	30 mm
from	50	to	55 mm	35 mm
from	55	to	60 mm	40 mm
from	60	to	65 mm	45 mm
from	65	to	70 mm	50 mm
from	70	to	75 mm	55 mm
from	75	to	80 mm	60 mm

2.4. Electric connection

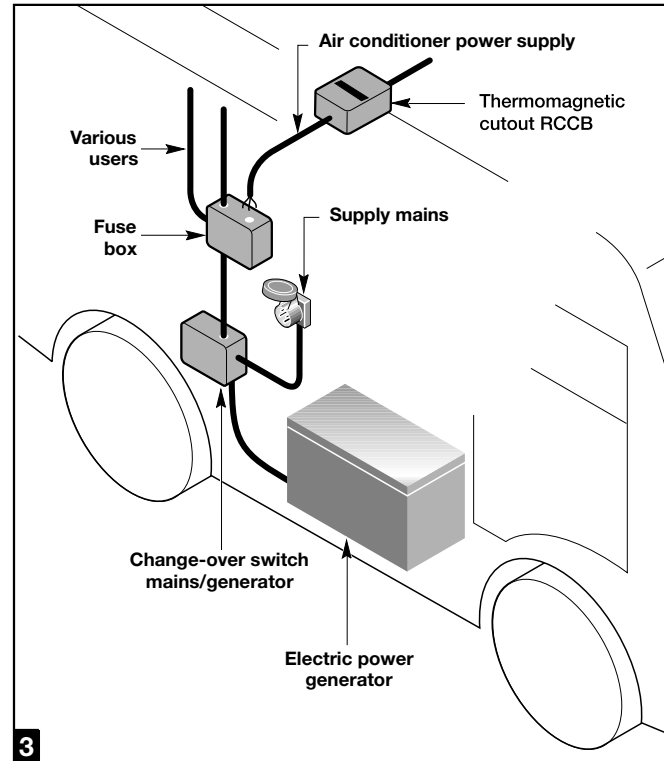
For the electric connections, always follow the national and local regulations



1 Arrange a specific electric system



2 Connect the wires to the air conditioner.



3 Connect the electric system to a circuit supplying the required power (see technical data) and fitted with a good ground system.

WIRING DIAGRAM

GB

