

# Dometic A&E AWNINGS - SPARE PARTS

## Model: Dometic A&E Tension Rafter System

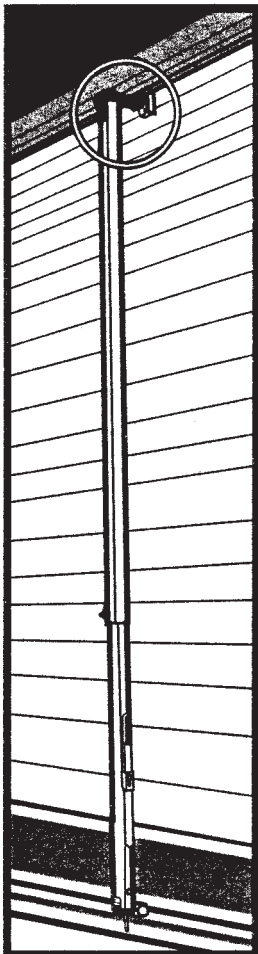
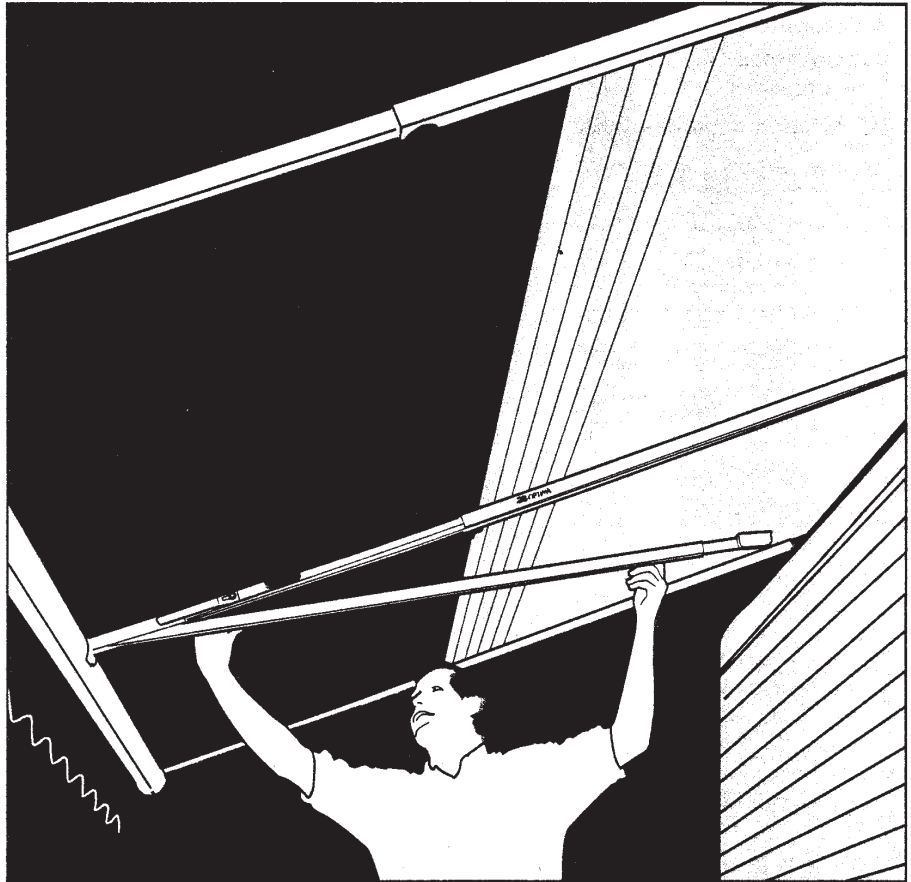
*Supports and stabilizes the awning-open or closed*

*Keeps canopy in correct tension automatically*

*Provides center support when the awning is in the patio position*

*Easy to mount and operate*

*Completely self storing*



- New cradle material is stronger, built for long life.
- Storage cradle lifts and supports the rolled-up awning for travel

### **A&E Optima:™ Tension Rafter System Includes:**

- Self-adjusting Tension Rafter/Storage Cradle
- Center Ground Support

Available as a complete system in one attractive package or purchase separately.

### **ORDER NO.**

930039.000 Optima System - Satin (tension rafter & centre support)

930042.000 Tension Rafter - Satin

930043.000 Center Support - Satin

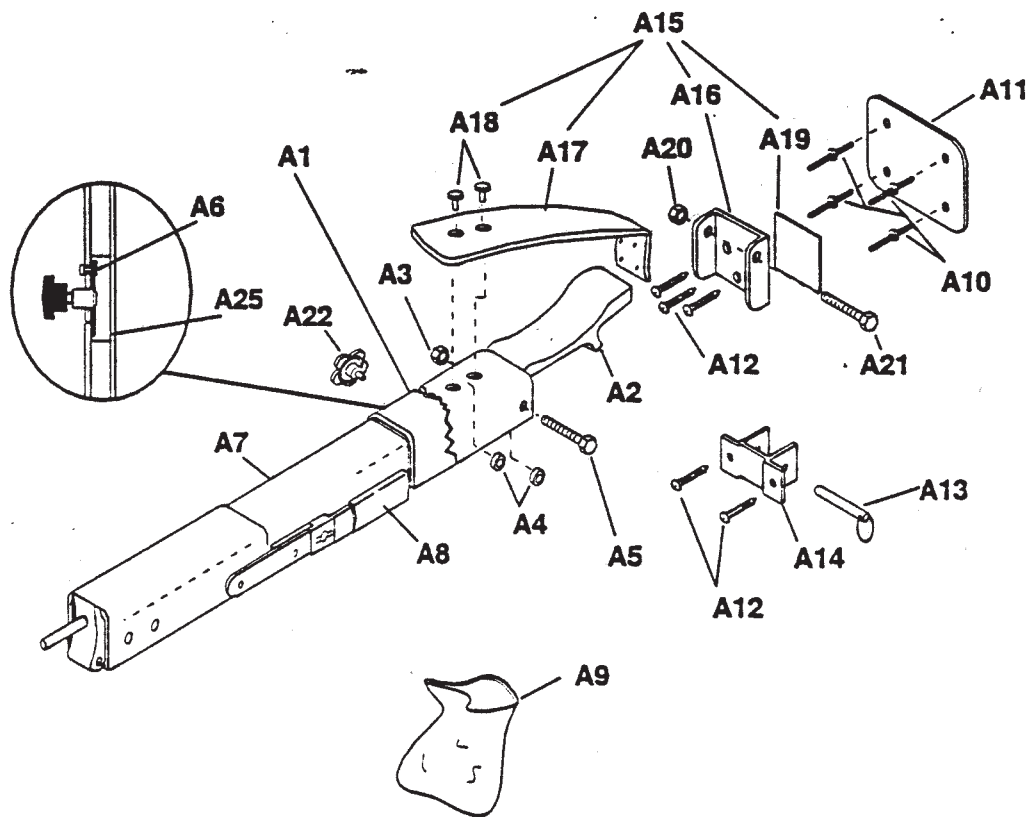
930039.500B Optima System - Polar White (tension rafter & centre support)

930042.500B Tension Rafter - Polar White

930043.500B Center Support - Polar White

# Dometic A&E AWNINGS - SPARE PARTS

**Model: A&E OPTIMA TENSION RAFTER (SATIN)**  
**Part Number: 930042.000**

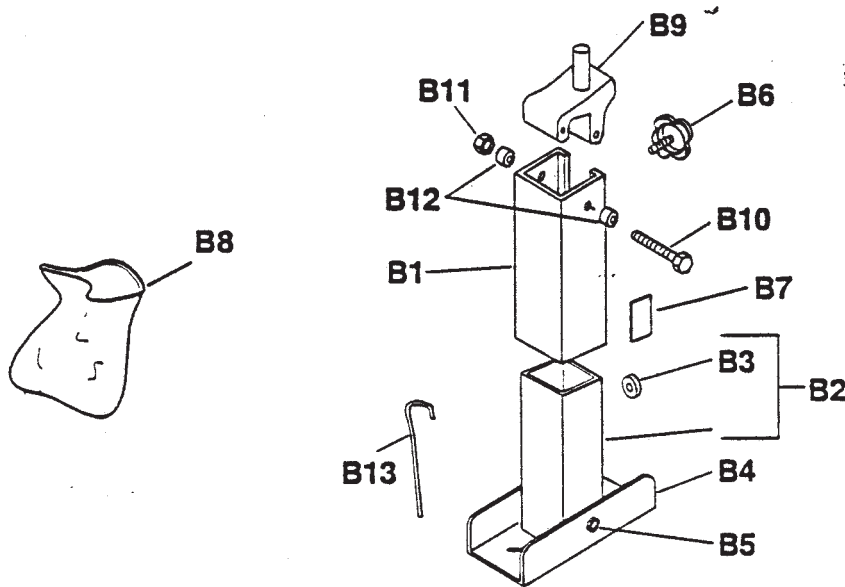


ITEM No.	PART No.	DESCRIPTION
A1 (A2-A6)	830760	Main rafter asm. 52-5/8" long
A2 *	730491	Cradle, tension
A3*	317534.006	Nut, lock w/insert
A4	309513.045	Washer, nylon (2 req.)
A5 *	3104176.072	Screw, hex. cap
A6	113680	Nut, weld
A7 (Includes A8)	830687	Secondary rafter asm. 58" long
A8	143340	Grip, vinyl
A9 (A10-A22)	830688	Hardware, bag
A10	113008	Rivet, oscar (4 req.)
All	730347	Plate, backing
A12	113029	Screw, *14-10 (5 req.)
A13	3105818.003	Pin, ball lock
A14	730081.001	Bracket, storage
A15 * (A16-A19)	3103693.002	Bracket/Strap
A16	730477	Bracket, tension rafter
A17	3107058.004	Strap, Optima
A18	3105830.057	Plug, hole
A19	3107060	Adhesive, double
A20	317534.006	Nut, lock w/insert
A21	3104176.072	Screw, hex cap
A22	3105421.006	Knob, 5-point
A23	160781	Label, logo (not show.)
A24	60783	Label, Optima (not shown)
A25	730484	Pad Adj. Knob
A26*	3103693.002	Cradle, asm. (not shown)

\* Items Included In A26

# Dometic A&E AWNINGS - SPARE PARTS

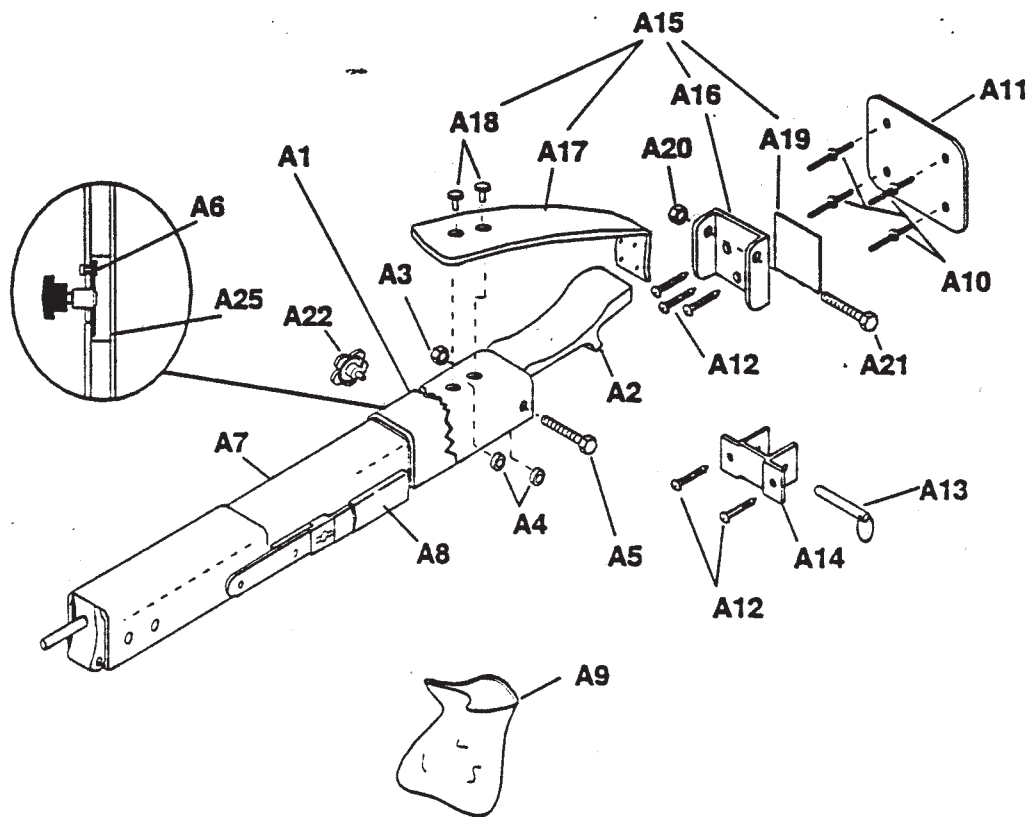
**Model: A&E OPTIMA CENTER SUPPORT (WHITE)**  
**Part Number: 930043.500B**



ITEM No.	PART No.	DESCRIPTION
B1	730468.500B	Arm. support upper
B2	830681.500B	(includes B3) Secondary rafter asm.
B3	143420	Nutsert, brass
B4	730439.001	Foot
B5	3104664.085	Pin, spring
B6	3105421.014	Knob, 5-point
B7	160784	Label, warning
B8	830690	(B9-B12) Hardware Bag
	830Z74	B9 Bracket. roller asm.
	3104176.064	B10 Screw, hex cap
	317534.006	B11 Nut, lock w/insert
	730481.002	B12 Sleeve, rubber
B13	3104257.005	Stake, tent (2 req.)

# Dometic A&E AWNINGS - SPARE PARTS

**Model: A&E OPTIMA TENSION RAFTER (WHITE)**  
**Part Number: 930042.500B**

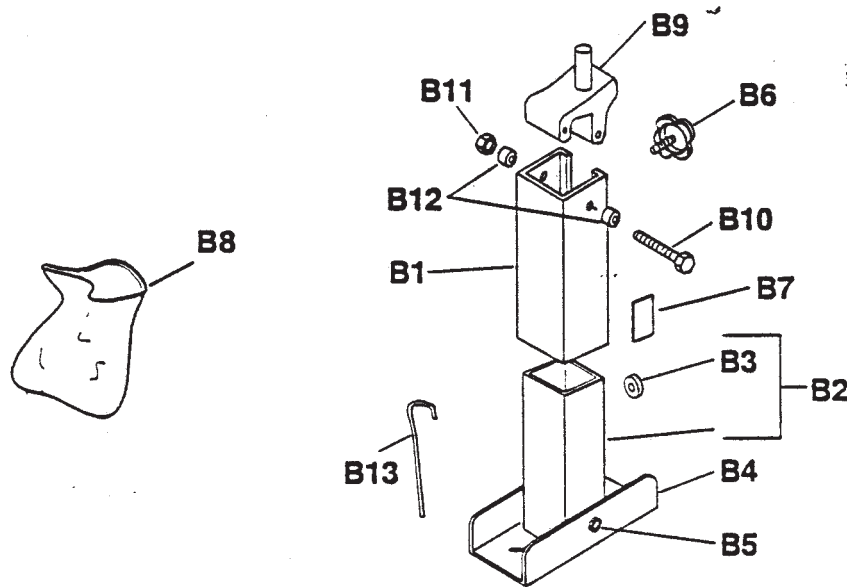


ITEM No.	PART No.	DESCRIPTION
A1 (A2-A6)	830760.500B	Main rafter asm. 52-5/8" long
A2 *	730491	Cradle, tension
A3*	317534.006	Nut, lock w/insert
A4	309513.045	Washer, nylon (2 req.)
A5 *	3104176.072	Screw, hex. cap
A6	113680	Nut, weld
A7 (Includes A8)	830687.500B	Secondary rafter asm. 58" long
A8	143340	Grip, vinyl
A9 (A10-A22)	830688	Hardware, bag
A10	113008	Rivet, oscar (4 req.)
A11	730347	Plate, backing
A12	113029	Screw, *14-10 (5 req.)
A13	3105818.003	Pin, ball lock
A14	730081.001	Bracket, storage
A15 * (A16-A19)	3103693.002	Bracket/Strap
A16	730477	Bracket, tension rafter
A17	3107058.004	Strap, Optima
A18	3105830.057	Plug, hole
A19	3107060	Adhesive, double
A20	317534.006	Nut, lock w/insert
A21	3104176.072	Screw, hex cap
A22	3105421.006	Knob, 5-point
A23	160781	Label, logo (not show.)
A24	60783	Label, Optima (not shown)
A25	730484	Pad Adj. Knob
A26*	3103693.002	Cradle, asm. (not shown)

\* Items Included In A26

# Dometic A&E AWNINGS - SPARE PARTS

**Model: A&E OPTIMA CENTER SUPPORT (SATIN)**  
**Part Number: 930043.000**



ITEM No.	PART No.	DESCRIPTION
B1	730468.001	Arm. support upper
B2	830681	(includes B3) Secondary rafter asm.
B3	143420	Nutsert, brass
B4	730439.001	Foot
B5	3104664.085	Pin, spring
B6	3105421.014	Knob, 5-point
B7	160784	Label, warning
B8	830690	(B9-B12) Hardware Bag
B9	830Z74	Bracket. roller asm.
B10	3104176.064	Screw, hex cap
B11	317534.006	Nut, lock w/insert
B12	730481.002	Sleeve, rubber
B13	3104257.005	Stake, tent (2 req.)